

SERIE 2200



sab

Cuore e Cervello della porta.

Serie
2200



Serrature da infilare a cilindro
Mortice locks for profile cylinder



Stacco maniglia 72mm (GIALLO) - 85mm (VERDE) - 90mm (NERO)

Handle Distance 72mm (YELLOW) - 85mm (GREEN) - 90mm (BLACK)

Rullo registrabile

Adjustable roller



Scrocco reversibile

Reversible latch



Fori passanti interasse DIN per l'applicazione di placche maniglia e rosette

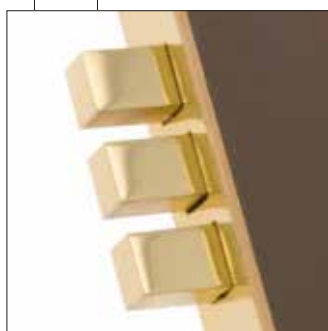
Through holes, DIN standard, to apply handles plates and roses

Entrate standard da 40mm a 80mm

Standard backset from 40mm to 80mm

Catenaccio antistrappo con spine antitaglio

Anti-tamper proof and anti-saw dead bolt



Azionamento a cilindro, Quadro 8mm, Chiave patent

Cylinder movement, square hole 8mm, patent key

**Frontale Ottone 22mm
Bordo quadro o Tondo**

*Brass frontal plate 22mm
Square or Round edge*



Serie
2200



Serrature da infilare a cilindro
Mortice locks for profile cylinder

2200/85-2205/85

Catenaccio Antistrappo e Scrocco
1-2 Mandate
Azionamento a cilindro

Tamper proof bolt and latch
1-2 Turns
Cylinder movement

FINITURA DI SERIE

- Piastra frontale, Catenaccio, Scrocco OLV

STANDARD FINISHINGS

- Front plate, Bolt, Latch OLV

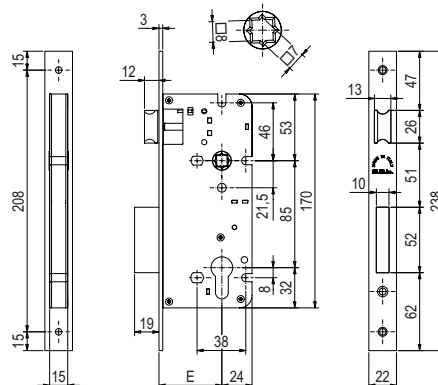
DOTAZIONE

- Contropiastra con aletta Art. 357 OLV
- Vaschetta coprifresata scrocco e catenaccio Art. C371
- Viti di fissaggio
- CILINDRO ESCLUSO

ACCESSORIES

- Striking plate with tab Art. 357 OLV
- Plastic bolt and latch milling cover Art. C371
- Fixing screws
- CYLINDER NOT INCLUDED

Serie **2200**



Serrature da infilare a cilindro
Mortice locks for profile cylinder

2200/85
2205/85

Catenaccio Antistrappo e Scrocco | 1-2 Mandate | Azionamento a cilindro

Tamper proof bolt and latch | 1-2 Turns | Cylinder movement

Codice Code	Finitura Finishing						
02200 85 45 ___ 7	---						
02200 85 50 ___ 7	---						
02200 85 60 ___ 7	---	2					
02200 85 70 ___ 7	---						
02200 85 80 ___ 7	---						
02205 85 45 ___ 7	---		22x3x238	85		1	20
02205 85 50 ___ 7	---						
02205 85 60 ___ 7	---	1					
02205 85 70 ___ 7	---						
02205 85 80 ___ 7	---						

Finiture Standard | Standard Finishings

Finiture Speciali | Special Finishings

Finitura Finishing	OLV	OSO	COL OCS ONS	OBO OGR OGM	OBL ONC BLK	ABO SFE	PLO	PVD PVG PRS	XSO INOX
-----------------------	-----	-----	-------------------	-------------------	-------------------	------------	-----	-------------------	-------------

T2200/85-T2205/85

Catenaccio Antistrappo e Scrocco
 1-2 Mandate
 Azionamento a cilindro
 Bordo Tondo

FINITURA DI SERIE

→ Piastra frontale, Catenaccio, Scrocco OLV

DOTAZIONE

→ Contropiastra con aletta Art. T357 OLV
 → Vaschetta coprifresata scrocco e catenaccio Art. C371
 → Viti di fissaggio
 → CILINDRO ESCLUSO

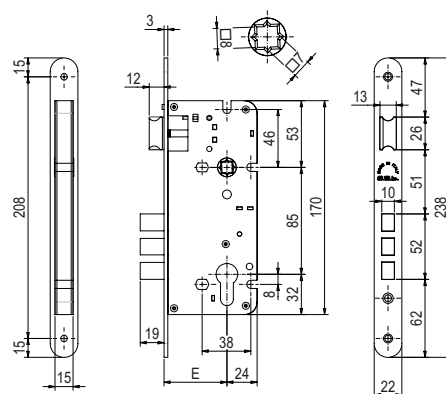
*Tamper proof bolt and latch
 1-2 Turns
 Cylinder movement
 Round Edge*

STANDARD FINISHINGS

→ Front plate, Bolt, Latch OLV

ACCESSORIES

→ Striking plate with tab Art. T357 OLV
 → Plastic bolt and latch milling cover Art. C371
 → Fixing screws
 → CYLINDER NOT INCLUDED



Serie
2200



T2200/85 T2205/85		Catenaccio Antistrappo e Scrocco 1-2 Mandate Azionamento a cilindro Bordo Tondo <i>Tamper proof bolt and latch 1-2 Turns Cylinder movement Round Edge</i>					
Codice Code	Finitura Finishing						
T2200 85 45 ___ 7							
T2200 85 50 ___ 7							
T2200 85 60 ___ 7		2					
T2200 85 70 ___ 7							
T2200 85 80 ___ 7			22x3x238	85			
T2205 85 45 ___ 7						1	20
T2205 85 50 ___ 7							
T2205 85 60 ___ 7		1					
T2205 85 70 ___ 7							
T2205 85 80 ___ 7							

Finitura Finishing	Finiture Standard Standard Finishings				Finiture Speciali Special Finishings				
	OLV	OSO	OCL OCS ONS	OBO OGR OGM	OBL ONC BLK	ABO SFE	PLO	PVD PVG PRS	XSO INOX

Serrature da infilare a cilindro
Mortice locks for profile cylinder

2210/85-2215/85

Catenaccio e Scrocco
1-2 Mandate
Azionamento a cilindro

Bolt and Latch
1-2 Turns
Cylinder movement

FINITURA DI SERIE

- Piastra frontale, Catenaccio, Scrocco OLV

STANDARD FINISHINGS

- Front plate, Bolt, Latch OLV

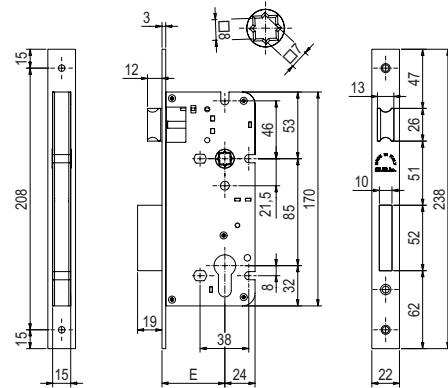
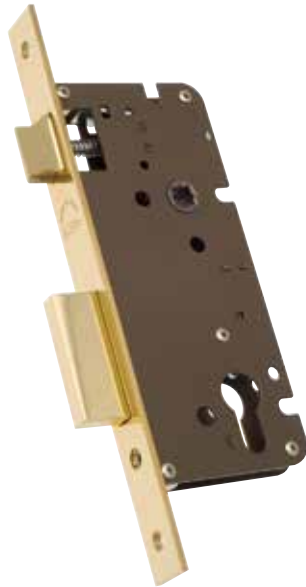
DOTAZIONE

- Contropiastra con aletta Art. 357 OLV
- Vaschetta coprifresata scrocco e catenaccio Art. C371
- Viti di fissaggio
- CILINDRO ESCLUSO

ACCESSORIES

- Striking plate with tab Art. 357 OLV
- Plastic bolt and latch milling cover Art. C371
- Fixing screws
- CYLINDER NOT INCLUDED

Serie **2200**



2210/85
2215/85

Catenaccio e Scrocco | 1-2 Mandate | Azionamento a cilindro

Bolt and Latch | 1-2 Turns | Cylinder movement

Codice Code	Finitura Finishing						
02210 85 40 ___ 7	---						
02210 85 45 ___ 7	---						
02210 85 50 ___ 7	---	2	22x3x238	85			
02210 85 60 ___ 7							
02210 85 70 ___ 7							
02210 85 80 ___ 7							
02215 85 40 ___ 7	---						
02215 85 45 ___ 7	---						
02215 85 50 ___ 7	---	1					
02215 85 60 ___ 7							
02215 85 70 ___ 7							
02215 85 80 ___ 7							
02215 85 80 ___ 7	---						

Finiture Standard | Standard Finishings

Finiture Speciali | Special Finishings

Finitura Finishing	OLV	OSO	COL OCS ONS	OBO OGR OGM	OBL ONC BLK	ABO SFE	PLO	PVD PVG PRS	XSO INOX
-----------------------	-----	-----	-------------------	-------------------	-------------------	------------	-----	-------------------	-------------

Serrature da infilare a cilindro
Mortice locks for profile cylinder

T2210/85-T2215/85

Catenaccio e Scrocco
1-2 Mandate
Azionamento a cilindro
Bordo Tondo

*Bolt and Latch
1-2 Turns
Cylinder movement
Round Edge*

FINITURA DI SERIE

→ Piastra frontale, Catenaccio, Scrocco OLV

STANDARD FINISHINGS

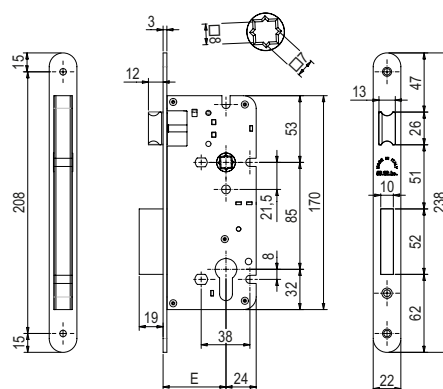
→ Front plate, Bolt, Latch OLV

DOTAZIONE

→ Contropiastra con aletta Art. T357 OLV
→ Vaschetta coprifresata scrocco e catenaccio Art. C371
→ Viti di fissaggio
→ CILINDRO ESCLUSO

ACCESSORIES

→ Striking plate with tab Art. T357 OLV
→ Plastic bolt and latch milling cover Art. C371
→ Fixing screws
→ CYLINDER NOT INCLUDED



Serie
2200



T2210/85 T2215/85		Catenaccio e Scrocco 1-2 Mandate Azionamento a cilindro Bordo Tondo		<i>Bolt and Latch 1-2 Turns Cylinder movement Round Edge</i>			
Codice Code	Finitura Finishing						
T2210 85 40 ___ 7	---						
T2210 85 45 ___ 7	---						
T2210 85 50 ___ 7	---						
T2210 85 60 ___ 7	---	2					
T2210 85 70 ___ 7	---						
T2210 85 80 ___ 7	---						
T2215 85 40 ___ 7	---		22x3x238	85		1	20
T2215 85 45 ___ 7	---						
T2215 85 50 ___ 7	---						
T2215 85 60 ___ 7	---	1					
T2215 85 70 ___ 7	---						
T2215 85 80 ___ 7	---						

Finitura Finishing	Finiture Standard Standard Finishings					Finiture Speciali Special Finishings				
	OLV	OSO	OCL OCS ONS	OBO OGR OGM	OBL ONC BLK	ABO SFE	PLO	PVD PVG PRS	XSO INOX	

Serrature da infilare a cilindro
Mortice locks for profile cylinder

2100-2105

Catenaccio Antistrappo
1-2 Mandate
Azionamento a cilindro

FINITURA DI SERIE

- Piastra frontale, Catenaccio OLV

DOTAZIONE

- Contropiastra Art. 354 OLV
- Vaschetta coprifresata scrocco e catenaccio Art. C371
- Viti di fissaggio
- CILINDRO ESCLUSO

Tamper proof bolt
1-2 Turns
Cylinder movement

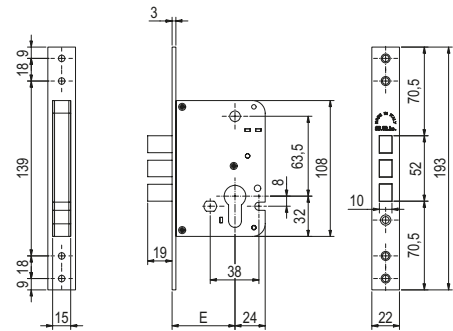
STANDARD FINISHINGS

- Front plate, Bolt OLV

ACCESSORIES

- Striking plate Art. 354 OLV
- Plastic bolt and latch milling cover Art. C371
- Fixing screws
- CYLINDER NOT INCLUDED

Serie 2200



Serrature da infilare a cilindro
Mortice locks for profile cylinder

2100 2105		Catenaccio Antistrappo 1-2 Mandate Azionamento a cilindro	
		Tamper proof bolt 1-2 Turns Cylinder movement	
Codice Code	Finitura Finishing		
02100 45 ___ 4	---		45
02100 50 ___ 4	---		50
02100 60 ___ 4	---	2	60
02100 70 ___ 4	---		70
02100 80 ___ 4	---		80
02105 45 ___ 4	---	22x3x193	45
02105 50 ___ 4	---		50
02105 60 ___ 4	---	1	60
02105 70 ___ 4	---		70
02105 80 ___ 4	---		80

Finitura Finishing	Finiture Standard Standard Finishings					Finiture Speciali Special Finishings			
	OLV	OSO	OCL OCS ONS	OBO OGR OGM	OBL ONC BLK	ABO SFE	PLO	PVD PVG PRS	XSO INOX

T2100-T2105

Catenaccio Antistrappo
1-2 Mandate
Azionamento a cilindro
Bordo Tondo

Tamper proof bolt
1-2 Turns
Cylinder movement
Round Edge

FINITURA DI SERIE

→ Piastra frontale, Catenaccio OLV

STANDARD FINISHINGS

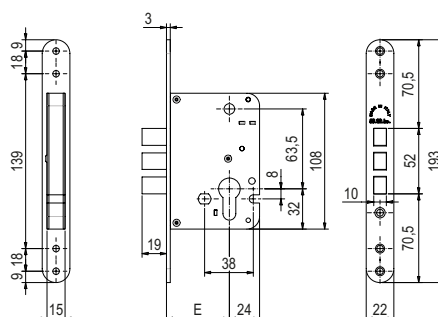
→ Front plate, Bolt OLV

DOTAZIONE

→ Contropiastra Art. T354 OLV
→ Vaschetta coprifresata scrocco e catenaccio Art. C371
→ Viti di fissaggio
→ CILINDRO ESCLUSO

ACCESSORIES

→ Striking plate Art. T354 OLV
→ Plastic bolt and latch milling cover Art. C371
→ Fixing screws
→ CYLINDER NOT INCLUDED



Serie
2200



T2100
T2105 Catenaccio Antistrappo | 1-2 Mandate | Azionamento a cilindro | Bordo Tondo
Tamper proof bolt | 1-2 Turns | Cylinder movement | Round Edge

Codice Code	Finitura Finishing					
T2100 45 ___ 4					45	
T2100 50 ___ 4					50	
T2100 60 ___ 4		2			60	
T2100 70 ___ 4					70	
T2100 80 ___ 4			22x3x193		80	
T2105 45 ___ 4					45	1 25
T2105 50 ___ 4					50	
T2105 60 ___ 4		1			60	
T2105 70 ___ 4					70	
T2105 80 ___ 4					80	

Finitura
Finishing

Finiture Standard | Standard Finishings

Finiture Speciali | Special Finishings

OLV	OSO	OCL OCS ONS	OBO OGR OGM	OBL ONC BLK	ABO SFE	PLO	PVD PVG PRS	XSO <i>INOX</i>
------------	------------	--	--	--	--------------------------	------------	--	---------------------------

Serrature da infilare a cilindro
Mortice locks for profile cylinder

2110-2115

Solo Catenaccio
1-2 Mandate
Azionamento a cilindro

FINITURA DI SERIE

- Piastra frontale, Catenaccio OLV

DOTAZIONE

- Contropiastra Art. 354 OLV
- Vaschetta coprifresata scrocco e catenaccio Art. C371
- Viti di fissaggio
- CILINDRO ESCLUSO

Bolt only
1-2 Turns
Cylinder movement

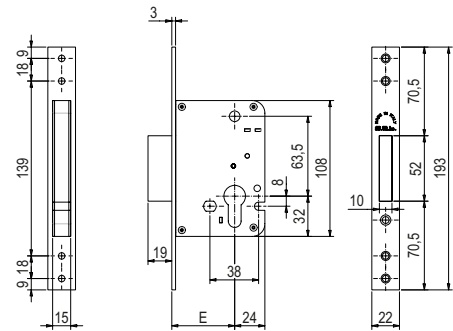
STANDARD FINISHINGS

- Front plate, Bolt OLV

ACCESSORIES

- Striking plate Art. 354 OLV
- Plastic bolt and latch milling cover Art. C371
- Fixing screws
- CYLINDER NOT INCLUDED

Serie **2200**



Serrature da infilare a cilindro
Mortice locks for profile cylinder

2110 Solo Catenaccio | 1-2 Mandate | Azionamento a cilindro
2115 Bolt only | 1-2 Turns | Cylinder movement

Codice Code	Finitura Finishing					
02110 40 ___ 4	---			40		
02110 45 ___ 4	---			45		
02110 50 ___ 4	---	2		50		
02110 60 ___ 4			60			
02110 70 ___ 4			70			
02110 80 ___ 4			80			
02115 40 ___ 4	---	22x3x193		40	1	25
02115 45 ___ 4	---			45		
02115 50 ___ 4	---	1		50		
02115 60 ___ 4			60			
02115 70 ___ 4			70			
02115 80 ___ 4			80			

Finiture Standard | Standard Finishings

Finiture Speciali | Special Finishings

Finitura Finishing	OLV	OSO	OCL OCS ONS	OBO OGR OGM	OBL ONC BLK	ABO SFE	PLO	PVD PVG PRS	XSO INOX
-----------------------	------------	------------	--	--	--	--------------------------	------------	--	---------------------------

T2110-T2115

Solo Catenaccio
1-2 Mandate
Azionamento a cilindro
Bordo Tondo

Bolt only
1-2 Turns
Cylinder movement
Round Edge

FINITURA DI SERIE

→ Piastra frontale, Catenaccio OLV

STANDARD FINISHINGS

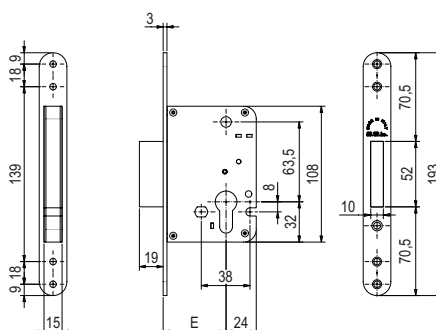
→ Front plate, Bolt OLV

DOTAZIONE

→ Contropiastra Art. T354 OLV
→ Vaschetta coprifresata scrocco e catenaccio Art. C371
→ Viti di fissaggio
→ CILINDRO ESCLUSO

ACCESSORIES

→ Striking plate Art. T354 OLV
→ Plastic bolt and latch milling cover Art. C371
→ Fixing screws
→ CYLINDER NOT INCLUDED



Serie
2200



T2110 T2115		Solo Catenaccio 1-2 Mandate Azionamento a cilindro Bordo Tondo			
		<i>Bolt only 1-2 Turns Cylinder movement Round Edge</i>			
Codice Code	Finitura Finishing				
---	---		F	E	
T2110 40 ___ 4				40	
T2110 45 ___ 4				45	
T2110 50 ___ 4		2		50	
T2110 60 ___ 4				60	
T2110 70 ___ 4				70	
T2110 80 ___ 4				80	
T2115 40 ___ 4			22x3x193	40	1 25
T2115 45 ___ 4				45	
T2115 50 ___ 4		1		50	
T2115 60 ___ 4				60	
T2115 70 ___ 4				70	
T2115 80 ___ 4				80	

Finitura
Finishing

Finiture Standard | Standard Finishings

Finiture Speciali | Special Finishings

OLV	OSO	OCL OCS ONS	OBO OGR OGM	OBL ONC BLK	ABO SFE	PLO	PVD PVG PRS	XSO INOX
------------	------------	----------------------------	----------------------------	----------------------------	--------------------	------------	----------------------------	---------------------

Serrature da infilare a cilindro
Mortice locks for profile cylinder

2150

Solo Scrocco

FINITURA DI SERIE

- Piastra frontale, Scrocco OLV

DOTAZIONE

- Contropiastra con aletta Art. 355 OLV
- Vaschetta coprifresata scrocco e catenaccio Art. C371
- Viti di fissaggio

Latch only

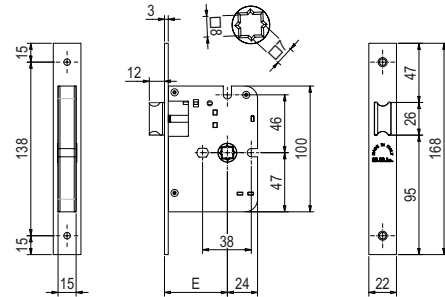
STANDARD FINISHINGS

- Front plate, Latch OLV

ACCESSORIES

- Striking plate with tab Art. 355 OLV
- Plastic bolt and latch milling cover Art. C371
- Fixing screws

Serie **2200**







Serrature da infilare a cilindro
Mortice locks for profile cylinder

2150

Solo Scrocco

Latch only

Codice Code	Finitura Finishing				
02150 40 ___ 5	---				
02150 45 ___ 5	---				
02150 50 ___ 5	---				
02150 60 ___ 5	---	22x3x168		1	25
02150 70 ___ 5	---				
02150 80 ___ 5	---				

Finiture Standard | Standard Finishings

Finiture Speciali | Special Finishings

Finitura Finishing	OLV	OSO	COL OCS ONS	OBO OGR OGM	OBL ONC BLK	ABO SFE	PLO	PVD PVG PRS	XSO INOX

T2150

Solo Scrocco
Bordo Tondo

FINITURA DI SERIE

- Piastra frontale, Scrocco OLV

DOTAZIONE

- Contropiastra con aletta Art. T355 OLV
- Vaschetta coprifresata scrocco e catenaccio Art. C371
- Viti di fissaggio

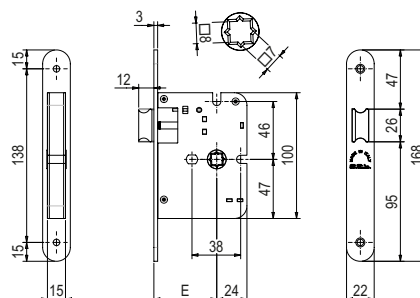
Latch only
Round Edge

STANDARD FINISHINGS

- Front plate, Latch OLV

ACCESSORIES

- Striking plate with tab Art. T355 OLV
- Plastic bolt and latch milling cover Art. C371
- Fixing screws



Serie
2200



T2150 Solo Scrocco | Bordo Tondo
Latch only | Round Edge

Codice Code	Finitura Finishing				
T2150 40 __ 5	---				
T2150 45 __ 5	---				
T2150 50 __ 5	---				
T2150 60 __ 5	---	22x3x168		1	25
T2150 70 __ 5	---				
T2150 80 __ 5	---				

Finitura Finishing	Finiture Standard Standard Finishings					Finiture Speciali Special Finishings				
	---	OLV	OSO	OCL OCS ONS	OBO OGR OGM	OBL ONC BLK	ABO SFE	PLO	PVD PVG PRS	XSO INOX

Serrature da infilare a cilindro
Mortice locks for profile cylinder

2160

Solo Scrocco

FINITURA DI SERIE

- Piastra frontale, Scrocco OLV

DOTAZIONE

- Contropiastra con aletta Art. 357S OLV
- Vaschetta coprifresata scrocco e catenaccio Art. C371
- Viti di fissaggio

Latch only

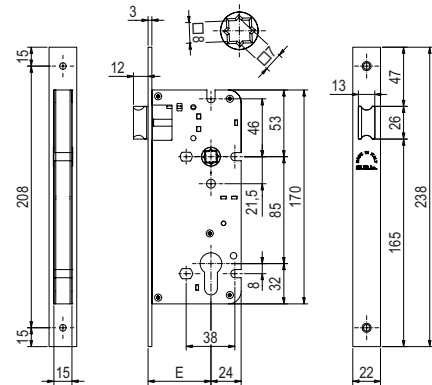
STANDARD FINISHINGS

- Front plate, Latch OLV

ACCESSORIES

- Striking plate with tab Art. 357S OLV
- Plastic bolt and latch milling cover Art. C371
- Fixing screws

Serie **2200**







Serrature da infilare a cilindro
Mortice locks for profile cylinder

2160

Solo Scrocco

Latch only

Codice Code	Finitura Finishing				
02160 40 ___ 7	---				
02160 45 ___ 7	---				
02160 50 ___ 7	---				
02160 60 ___ 7	---	22x3x238		1	20
02160 70 ___ 7	---				
02160 80 ___ 7	---				

Finiture Standard | Standard Finishings

Finiture Speciali | Special Finishings

Finitura Finishing	OLV	OSO	OCL OCS ONS	OBO OGR OGM	OBL ONC BLK	ABO SFE	PLO	PVD PVG PRS	XSO INOX

T2160

Solo Scrocco
Bordo Tondo

FINITURA DI SERIE

- Piastra frontale, Scrocco OLV

DOTAZIONE

- Contropiastra con aletta Art. T357S OLV
- Vaschetta coprifresata scrocco e catenaccio Art. C371
- Viti di fissaggio

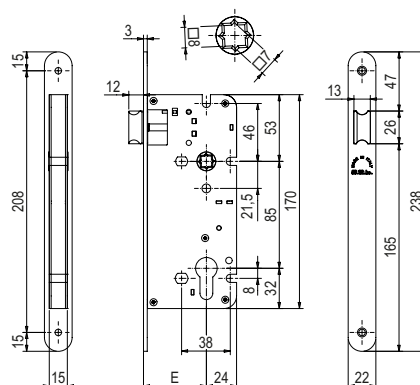
Latch only
Round Edge

STANDARD FINISHINGS

- Front plate, Latch OLV

ACCESSORIES

- Striking plate with tab Art. T357S OLV
- Plastic bolt and latch milling cover Art. C371
- Fixing screws



Serie
2200



Serrature da infilare a cilindro
Mortice locks for profile cylinder

T2160 Solo Scrocco | Bordo Tondo
Latch only | Round Edge

Codice Code	Finitura Finishing				
T2160 40 ___ 7	---				
T2160 45 ___ 7	---				
T2160 50 ___ 7	---				
T2160 60 ___ 7	---	22x3x238		1	20
T2160 70 ___ 7	---				
T2160 80 ___ 7	---				

Finitura Finishing	Finiture Standard Standard Finishings					Finiture Speciali Special Finishings				
	OLV	OSO	OCL OCS ONS	OBO OGR OGM	OBL ONC BLK	ABO SFE	PLO	PVD PVG PRS	XSO INOX	

2216/85

Serratura per bagno
 Doppio quadro 8mm
 Catenaccio e Scrocco
 1 Mandata
 Azionamento quadro 8mm

Bathroom lock
 Double square hole 8mm
 Bolt and Latch
 1 Turn
 Square hole movement

FINITURA DI SERIE

- Piastra frontale, Catenaccio, Scrocco OLV

STANDARD FINISHINGS

- Front plate, Bolt, Latch OLV

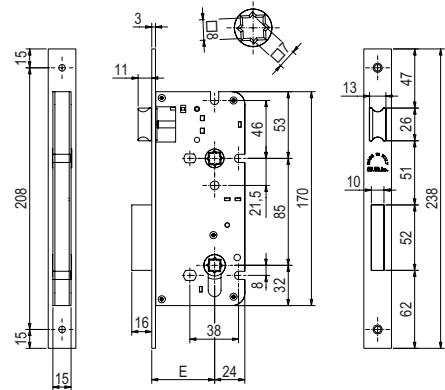
DOTAZIONE

- Contropiastra con aletta Art. 357 OLV
- Vaschetta coprifresata scrocco e catenaccio Art. C371
- Viti di fissaggio

ACCESSORIES

- Striking plate with tab Art. 357 OLV
- Plastic bolt and latch milling cover Art. C371
- Fixing screws

Serie **2200**



2216/85

Serratura per bagno | Doppio quadro 8mm | Catenaccio e Scrocco | 1 Mandata | Azionamento quadro 8mm
 Bathroom lock | Double square hole 8mm | Bolt and Latch | 1 Turn | Square hole movement

Codice Code	Finitura Finishing					
02216 85 40 ___ 7	---					
02216 85 45 ___ 7	---					
02216 85 50 ___ 7	---					
02216 85 60 ___ 7	---	1	22x3x238	85		1 20
02216 85 70 ___ 7	---					
02216 85 80 ___ 7	---					

Finitura Finishing	Finiture Standard Standard Finishings					Finiture Speciali Special Finishings			
	OLV	OSO	OCL OCS ONS	OBO OGR OGM	OBL ONC BLK	ABO SFE	PLO	PVD PVG PRS	XSO INOX

Serrature da infilare a cilindro
 Mortice locks for profile cylinder

T2216/85

Serratura per bagno
 Doppio quadro 8mm
 Catenaccio e Scrocco
 1 Mandata
 Azionamento quadro 8mm | Bordo Tondo

Bathroom lock
 Double square hole 8mm
 Bolt and Latch
 1 Turn
 Square hole movement | Round Edge

FINITURA DI SERIE

→ Piastra frontale, Catenaccio, Scrocco OLV

STANDARD FINISHINGS

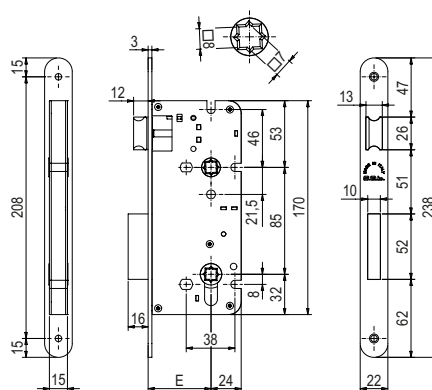
→ Front plate, Bolt, Latch OLV

DOTAZIONE

→ Contropiastra con aletta Art. T357 OLV
 → Vaschetta coprifresata scrocco e catenaccio Art. C371
 → Viti di fissaggio

ACCESSORIES

→ Striking plate with tab Art. T357 OLV
 → Plastic bolt and latch milling cover Art. C371
 → Fixing screws



Serie
2200



T2216/85 Serratura per bagno | Doppio quadro 8mm | Catenaccio e Scrocco | 1 Mandata | Azionamento quadro 8mm | Bordo Tondo
Bathroom lock | Double square hole 8mm | Bolt and Latch | 1 Turn | Square hole movement | Round Edge

Codice Code	Finitura Finishing						
T2216 85 40 ___ 7							
T2216 85 45 ___ 7							
T2216 85 50 ___ 7							
T2216 85 60 ___ 7		1	22x3x238	85		1	20
T2216 85 70 ___ 7							
T2216 85 80 ___ 7							

Finitura Finishing	Finiture Standard Standard Finishings				Finiture Speciali Special Finishings				
	OLV	OSO	OCL OCS ONS	OBO OGR OGM	OBL ONC BLK	ABO SFE	PLO	PVD PVG PRS	XSO INOX

Serrature da infilare a cilindro
Mortice locks for profile cylinder

2116

Serratura per bagno
 Quadro 8mm
 Solo Catenaccio
 1 Mandata
 Azionamento quadro 8mm

Bathroom lock
 Square hole 8mm
 Bolt only
 1 Turn
 Square hole movement

FINITURA DI SERIE

- Piastra frontale, Catenaccio OLV

STANDARD FINISHINGS

- Front plate, Bolt OLV

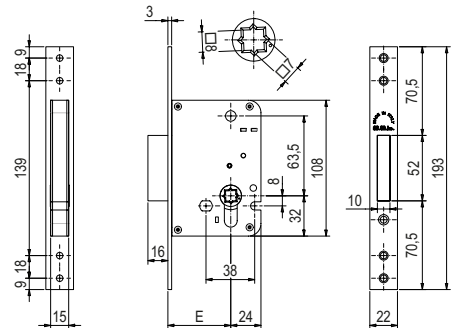
DOTAZIONE

- Contropiastra Art. 354 OLV
- Vaschetta coprifresata scrocco e catenaccio Art. C371
- Viti di fissaggio

ACCESSORIES

- Striking plate Art. 354 OLV
- Plastic bolt and latch milling cover Art. C371
- Fixing screws

Serie **2200**



2116

Serratura per bagno | Quadro 8mm | Solo Catenaccio | 1 Mandata | Azionamento quadro 8mm
 Bathroom lock | Square hole 8mm | Bolt only | 1 Turn | Square hole movement

Codice Code	Finitura Finishing					
02116 40 __ 4	---			40		
02116 45 __ 4	---			45		
02116 50 __ 4	---	1	22x3x193	50		
02116 60 __ 4	---			60		
02116 70 __ 4	---			70		
02116 80 __ 4	---			80	1	25

Finiture Standard | Standard Finishings

Finiture Speciali | Special Finishings

Finitura Finishing	OLV	OSO	OCL OCS ONS	OBO OGR OGM	OBL ONC BLK	ABO SFE	PLO	PVD PVG PRS	XSO INOX

Serrature da infilare a cilindro
 Mortice locks for profile cylinder

T2116

Serratura per bagno
 Quadro 8mm
 Solo Catenaccio
 1 Mandata
 Azionamento quadro 8mm | Bordo Tondo

Bathroom lock
 Square hole 8mm
 Bolt only
 1 Turn
 Square hole movement | Round Edge

FINITURA DI SERIE

→ Piastra frontale, Catenaccio OLV

STANDARD FINISHINGS

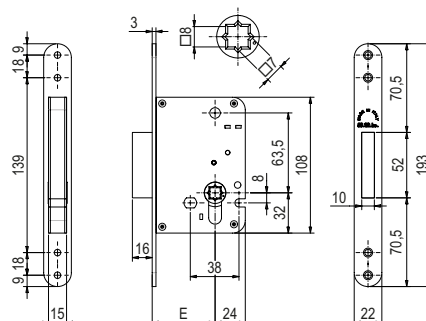
→ Front plate, Bolt OLV

DOTAZIONE

→ Contropiastra Art. T354 OLV
 → Vaschetta coprifresata scrocco e catenaccio Art. C371
 → Viti di fissaggio

ACCESSORIES

→ Striking plate Art. T354 OLV
 → Plastic bolt and latch milling cover Art. C371
 → Fixing screws



Serie
2200



T2116

Serratura per bagno | Quadro 8mm | Solo Catenaccio | 1 Mandata | Azionamento quadro 8mm | Bordo Tondo
 Bathroom lock | Square hole 8mm | Bolt only | 1 Turn | Square hole movement | Round Edge

Codice Code	Finitura Finishing					
T2116 40 __ 4	---			40		
T2116 45 __ 4	---			45		
T2116 50 __ 4	---	1	22x3x193	50	1	25
T2116 60 __ 4	---			60		
T2116 70 __ 4	---			70		
T2116 80 __ 4	---			80		

Finitura Finishing	Finiture Standard Standard Finishings					Finiture Speciali Special Finishings				
	OLV	OSO	OCL OCS ONS	OBO OGR OGM	OBL ONC BLK	ABO SFE	PLO	PVD PVG PRS	XSO INOX	

Serrature da infilare a cilindro
 Mortice locks for profile cylinder

2202-2207

Catenaccio Antistrappo
 Rullo registrabile
 1-2 Mandate
 Azionamento a cilindro

Tamper proof bolt
 Adjustable roller
 1-2 Turns
 Cylinder movement

FINITURA DI SERIE

- Piastra frontale, Catenaccio, Rullo OLV

STANDARD FINISHINGS

- Front plate, Bolt, Roller OLV

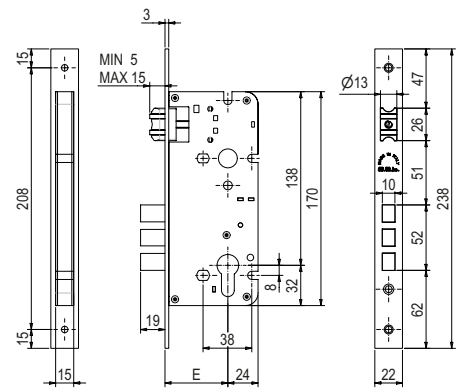
DOTAZIONE

- Contropiastra con aletta Art. 357R OLV
- Vaschetta coprifresata scrocco e catenaccio Art. C371
- Viti di fissaggio
- CILINDRO ESCLUSO

ACCESSORIES

- Striking plate with tab Art. 357R OLV
- Plastic bolt and latch milling cover Art. C371
- Fixing screws
- CYLINDER NOT INCLUDED

Serie **2200**



Serrature da infilare a cilindro
 Mortice locks for profile cylinder

2202
2207

Catenaccio Antistrappo | Rullo registrabile | 1-2 Mandate | Azionamento a cilindro

Tamper proof bolt | Adjustable roller | 1-2 Turns | Cylinder movement

Codice Code	Finitura Finishing					
02202 45 ___ 7	---					
02202 50 ___ 7	---					
02202 60 ___ 7	---	2				
02202 70 ___ 7	---					
02202 80 ___ 7	---					
02207 45 ___ 7	---		22x3x238		1	20
02207 50 ___ 7	---					
02207 60 ___ 7	---	1				
02207 70 ___ 7	---					
02207 80 ___ 7	---					

Finiture Standard | Standard Finishings

Finiture Speciali | Special Finishings

Finitura Finishing	OLV	OSO	OCL OCS ONS	OBO OGR OGM	OBL ONC BLK	ABO SFE	PLO	PVD PVG PRS	XSO INOX

T2202-T2207

Catenaccio Antistrappo
 Rullo registrabile
 1-2 Mandate
 Azionamento a cilindro
 Bordo Tondo

Tamper proof bolt
 Adjustable roller
 1-2 Turns
 Cylinder movement
 Round Edge

FINITURA DI SERIE

- Piastra frontale, Catenaccio, Rullo OLV

STANDARD FINISHINGS

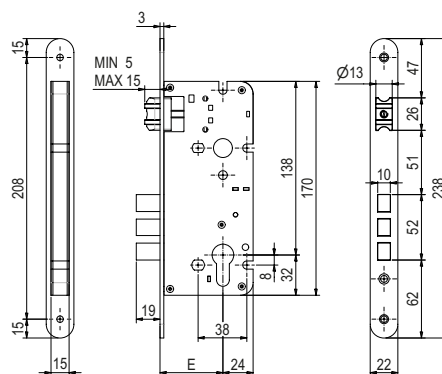
- Front plate, Bolt, Roller OLV

DOTAZIONE

- Contropiastra con aletta Art. T357R OLV
- Vaschetta coprifresata scrocco e catenaccio Art. C371
- Viti di fissaggio
- CILINDRO ESCLUSO

ACCESSORIES

- Striking plate with tab Art. T357R OLV
- Plastic bolt and latch milling cover Art. C371
- Fixing screws
- CYLINDER NOT INCLUDED



Serie
2200



T2202
T2207 Catenaccio Antistrappo | Rullo registrabile | 1-2 Mandate | Azionamento a cilindro | Bordo Tondo
 Tamper proof bolt | Adjustable roller | 1-2 Turns | Cylinder movement | Round Edge

Codice Code	Finitura Finishing					
T2202 45 ___ 7	---				45	
T2202 50 ___ 7	---				50	
T2202 60 ___ 7	---	2			60	
T2202 70 ___ 7	---				70	
T2202 80 ___ 7	---		22x3x238		80	
T2207 45 ___ 7	---				45	1
T2207 50 ___ 7	---				50	20
T2207 60 ___ 7	---	1			60	
T2207 70 ___ 7	---				70	
T2207 80 ___ 7	---				80	

Finitura
 Finishing

Finiture Standard | Standard Finishings

Finiture Speciali | Special Finishings

OLV	OSO	OCL OCS ONS	OBO OGR OGM	OBL ONC BLK	ABO SFE	PLO	PVD PVG PRS	XSO INOX
-----	-----	-------------------	-------------------	-------------------	------------	-----	-------------------	-------------

Serrature da infilare a cilindro
 Mortice locks for profile cylinder

2212-2217

Catenaccio
 Rullo registrabile
 1-2 Mandate
 Azionamento a cilindro

Bolt
 Adjustable roller
 1-2 Turns
 Cylinder movement

FINITURA DI SERIE

- Piastra frontale, Catenaccio, Rullo OLV

STANDARD FINISHINGS

- Front plate, Bolt, Roller OLV

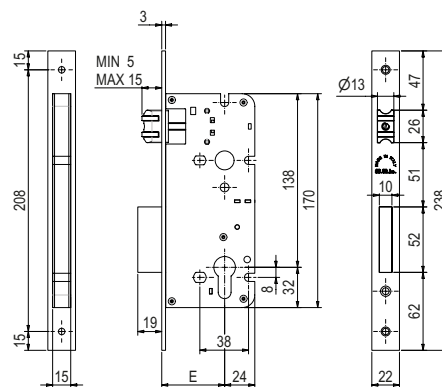
DOTAZIONE

- Contropiastra con aletta Art. 357R OLV
- Vaschetta coprifresata scrocco e catenaccio Art. C371
- Viti di fissaggio
- CILINDRO ESCLUSO

ACCESSORIES

- Striking plate with tab Art. 357R OLV
- Plastic bolt and latch milling cover Art. C371
- Fixing screws
- CYLINDER NOT INCLUDED

Serie **2200**



2212
2217

Catenaccio | Rullo registrabile | 1-2 Mandate | Azionamento a cilindro

Bolt | Adjustable roller | 1-2 Turns | Cylinder movement

Codice Code	Finitura Finishing					
02212 40 __ 7	---					
02212 45 __ 7	---					
02212 50 __ 7	---					
02212 60 __ 7	---	2				
02212 70 __ 7	---					
02212 80 __ 7	---					
02217 40 __ 7	---		22x3x238		1	20
02217 45 __ 7	---					
02217 50 __ 7	---					
02217 60 __ 7	---	1				
02217 70 __ 7	---					
02217 80 __ 7	---					

Finiture Standard | Standard Finishings

Finiture Speciali | Special Finishings

Finitura Finishing	OLV	OSO	OCL OCS ONS	OBO OGR OGM	OBL ONC BLK	ABO SFE	PLO	PVD PVG PRS	XSO INOX

Serrature da infilare a cilindro
 Mortice locks for profile cylinder

T2212-T2217

Catenaccio
 Rullo registrabile
 1-2 Mandate
 Azionamento a cilindro
 Bordo Tondo

Bolt
 Adjustable roller
 1-2 Turns
 Cylinder movement
 Round Edge

FINITURA DI SERIE

→ Piastra frontale, Catenaccio, Rullo OLV

STANDARD FINISHINGS

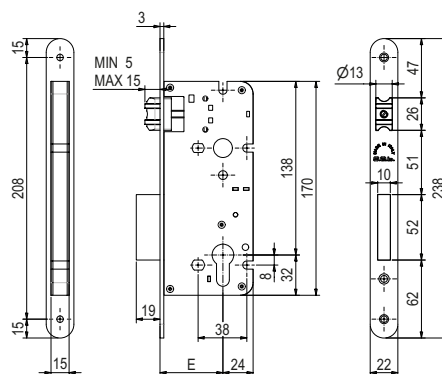
→ Front plate, Bolt, Roller OLV

DOTAZIONE

→ Contropiastra con aletta Art. T357R OLV
 → Vaschetta coprifresata scrocco e catenaccio Art. C371
 → Viti di fissaggio
 → CILINDRO ESCLUSO

ACCESSORIES

→ Striking plate with tab Art. T357R OLV
 → Plastic bolt and latch milling cover Art. C371
 → Fixing screws
 → CYLINDER NOT INCLUDED



Serie
2200



T2212 T2217		Catenaccio Rullo registrabile 1-2 Mandate Azionamento a cilindro Bordo Tondo				
		Bolt Adjustable roller 1-2 Turns Cylinder movement Round Edge				
Code	Finitura					
Code	Finishing		F	E		
T2212 40 ___ 7	---	2	22x3x238	40	1	20
T2212 45 ___ 7	---			45		
T2212 50 ___ 7	---			50		
T2212 60 ___ 7	---			60		
T2212 70 ___ 7	---			70		
T2212 80 ___ 7	---	1	22x3x238	80	1	20
T2217 40 ___ 7	---			40		
T2217 45 ___ 7	---			45		
T2217 50 ___ 7	---			50		
T2217 60 ___ 7	---			60		
T2217 70 ___ 7	---	70				
T2217 80 ___ 7	---			80		

Finitura
 Finishing

Finiture Standard | Standard Finishings

Finiture Speciali | Special Finishings

OLV	OSO	OCL OCS ONS	OBO OGR OGM	OBL ONC BLK	ABO SFE	PLO	PVD PVG PRS	XSO <i>INOX</i>
------------	------------	--	--	--	--------------------------	------------	--	---------------------------

Serrature da infilare a cilindro
 Mortice locks for profile cylinder

2200/90

Catenaccio Antistrappo e Scrocco
2 Mandate
Azionamento a cilindro

FINITURA DI SERIE

- Piastra frontale, Catenaccio, Scrocco OLV

DOTAZIONE

- Contropiastra con aletta Art. 357 OLV
- Vaschetta coprifresata scrocco e catenaccio Art. C371
- Viti di fissaggio
- CILINDRO ESCLUSO

Tamper proof bolt and latch
2 Turns
Cylinder movement

STANDARD FINISHINGS

- Front plate, Bolt, Latch OLV

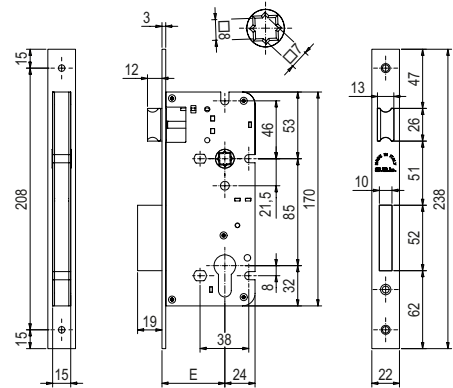
ACCESSORIES

- Striking plate with tab Art. 357 OLV
- Plastic bolt and latch milling cover Art. C371
- Fixing screws
- CYLINDER NOT INCLUDED

Serie **2200**



Serrature da infilare a cilindro
Mortice locks for profile cylinder



2200/90		Catenaccio Antistrappo e Scrocco 2 Mandate Azionamento a cilindro					
		Tamper proof bolt and latch 2 Turns Cylinder movement					
Codice Code	Finitura Finishing						
02200 90 45 ___ 7	---						
02200 90 50 ___ 7	---	2	22x3x238	90			
02200 90 60 ___ 7	---					1	20
02200 90 70 ___ 7	---						

Finitura Finishing	Finiture Standard Standard Finishings				Finiture Speciali Special Finishings				
	OLV	OSO	OCL OCS ONS	OBO OGR OGM	OBL ONC BLK	ABO SFE	PLO	PVD PVG PRS	XSO INOX

T2200/90

Catenaccio Antistrappo e Scrocco
 2 Mandate
 Azionamento a cilindro
 Bordo Tondo

*Tamper proof bolt and latch
 2 Turns
 Cylinder movement
 Round Edge*

FINITURA DI SERIE

→ Piastra frontale, Catenaccio, Scrocco OLV

STANDARD FINISHINGS

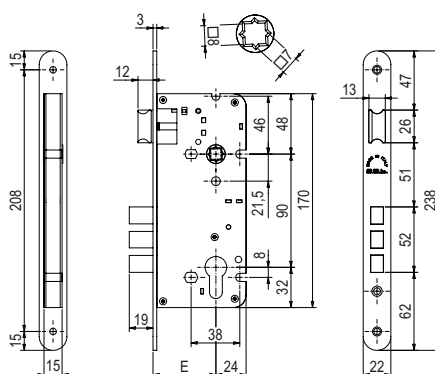
→ Front plate, Bolt, Latch OLV

DOTAZIONE

→ Contropiastra con aletta Art. T357 OLV
 → Vaschetta coprifresata scrocco e catenaccio Art. C371
 → Viti di fissaggio
 → CILINDRO ESCLUSO

ACCESSORIES

→ Striking plate with tab Art. T357 OLV
 → Plastic bolt and latch milling cover Art. C371
 → Fixing screws
 → CYLINDER NOT INCLUDED



Serie
2200



T2200/90		Catenaccio Antistrappo e Scrocco 2 Mandate Azionamento a cilindro Bordo Tondo					
		<i>Tamper proof bolt and latch 2 Turns Cylinder movement Round Edge</i>					
Codice Code	Finitura Finishing						
T2200 90 45 ___ 7	---						
T2200 90 50 ___ 7	---	2	22x3x238	90			
T2200 90 60 ___ 7	---						
T2200 90 70 ___ 7	---						

Finitura Finishing	Finiture Standard Standard Finishings					Finiture Speciali Special Finishings				
	OLV	OSO	OCL OCS ONS	OBO OGR OGM	OBL ONC BLK	ABO SFE	PLO	PVD PVG PRS	XSO INOX	

Serrature da infilare a cilindro
Mortice locks for profile cylinder

2210/90

Catenaccio e Scrocco
2 Mandate
Azionamento a cilindro

FINITURA DI SERIE

- Piastra frontale, Catenaccio, Scrocco OLV

DOTAZIONE

- Contropiastra con aletta Art. 357 OLV
- Vaschetta coprifresata scrocco e catenaccio Art. C371
- Viti di fissaggio
- CILINDRO ESCLUSO

*Bolt and Latch
2 Turns
Cylinder movement*

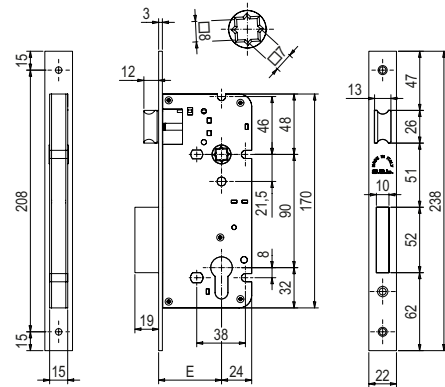
STANDARD FINISHINGS

- Front plate, Bolt, Latch OLV

ACCESSORIES

- Striking plate with tab Art. 357 OLV
- Plastic bolt and latch milling cover Art. C371
- Fixing screws
- CYLINDER NOT INCLUDED

Serie **2200**



2210/90

Catenaccio e Scrocco | 2 Mandate | Azionamento a cilindro

Bolt and Latch | 2 Turns | Cylinder movement

Codice Code	Finitura Finishing						
02210 90 40 ___ 7	---					40	
02210 90 45 ___ 7	---					45	
02210 90 50 ___ 7	---	2	22x3x238	90		50	1 20
02210 90 60 ___ 7	---					60	
02210 90 70 ___ 7	---					70	

Finiture Standard | Standard Finishings

Finiture Speciali | Special Finishings

Finitura Finishing	OLV	OSO	OCL OCS ONS	OBO OGR OGM	OBL ONC BLK	ABO SFE	PLO	PVD PVG PRS	XSO INOX

Serrature da infilare a cilindro
Mortice locks for profile cylinder

T2210/90

Catenaccio e Scrocco
2 Mandate
Azionamento a cilindro
Bordo Tondo

*Bolt and Latch
2 Turns
Cylinder movement
Round Edge*

FINITURA DI SERIE

→ Piastra frontale, Catenaccio, Scrocco OLV

STANDARD FINISHINGS

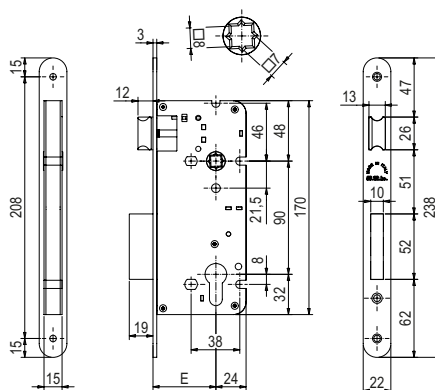
→ *Front plate, Bolt, Latch OLV*

DOTAZIONE

→ Contropiastra con aletta Art. T357 OLV
→ Vaschetta coprifresata scrocco e catenaccio Art. C371
→ Viti di fissaggio
→ CILINDRO ESCLUSO

ACCESSORIES

→ *Striking plate with tab Art. T357 OLV*
→ *Plastic bolt and latch milling cover Art. C371*
→ *Fixing screws*
→ *CYLINDER NOT INCLUDED*



Serie
2200



T2210/90		Catenaccio e Scrocco 2 Mandate Azionamento a cilindro Bordo Tondo					
		<i>Bolt and Latch 2 Turns Cylinder movement Round Edge</i>					
Codice Code	Finitura Finishing						
T2210 90 40 ___ 7	---						
T2210 90 45 ___ 7	---						
T2210 90 50 ___ 7	---	2	22x3x238	90		1	20
T2210 90 60 ___ 7	---						
T2210 90 70 ___ 7	---						

Finitura Finishing	Finiture Standard Standard Finishings					Finiture Speciali Special Finishings				
	OLV	OSO	OCL OCS ONS	OBO OGR OGM	OBL ONC BLK	ABO SFE	PLO	PVD PVG PRS	XSO INOX	

Serrature da infilare a cilindro
Mortice locks for profile cylinder

2216/90

Serratura per bagno
 Doppio quadro 8mm
 Catenaccio e Scrocco
 1 Mandata
 Azionamento quadro 8mm

Bathroom lock
 Double square hole 8mm
 Bolt and Latch
 1 Turn
 Square hole movement

FINITURA DI SERIE

- Piastra frontale, Catenaccio, Scrocco OLV

STANDARD FINISHINGS

- Front plate, Bolt, Latch OLV

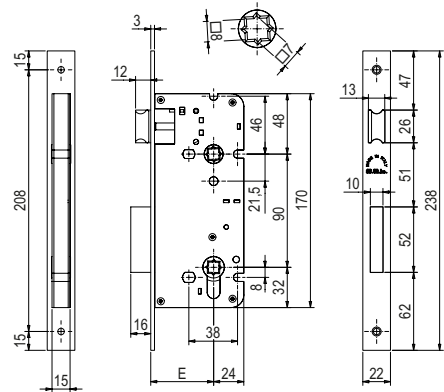
DOTAZIONE

- Contropiastra con aletta Art. 357 OLV
- Vaschetta coprifresata scrocco e catenaccio Art. C371
- Viti di fissaggio

ACCESSORIES

- Striking plate with tab Art. 357 OLV
- Plastic bolt and latch milling cover Art. C371
- Fixing screws

Serie **2200**



2216/90

Serratura per bagno | Doppio quadro 8mm | Catenaccio e Scrocco | 1 Mandata | Azionamento quadro 8mm
 Bathroom lock | Double square hole 8mm | Bolt and Latch | 1 Turn | Square hole movement

Codice Code	Finitura Finishing					
02216 90 40 ___ 7	---					40
02216 90 45 ___ 7	---					45
02216 90 50 ___ 7	---	1	22x3x238	90		50
02216 90 60 ___ 7	---					60
02216 90 70 ___ 7	---					70

Serrature da infilare a cilindro
 Mortice locks for profile cylinder

Finiture Standard | Standard Finishings

Finiture Speciali | Special Finishings

Finitura Finishing	OLV	OSO	OCL OCS ONS	OBO OGR OGM	OBL ONC BLK	ABO SFE	PLO	PVD PVG PRS	XSO INOX

T2216/90

Serratura per bagno
 Doppio quadro 8mm
 Catenaccio e Scrocco
 1 Mandata
 Azionamento quadro 8mm | Bordo Tondo

*Bathroom lock
 Double square hole 8mm
 Bolt and Latch
 1 Turn
 Square hole movement | Round Edge*

FINITURA DI SERIE

→ Piastra frontale, Catenaccio, Scrocco OLV

STANDARD FINISHINGS

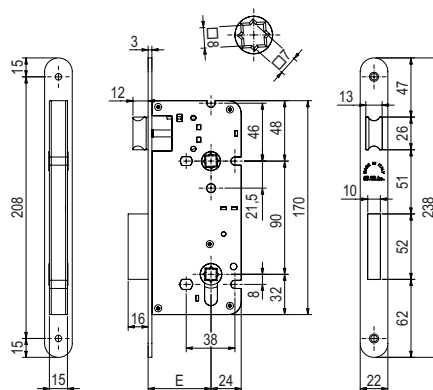
→ Front plate, Bolt, Latch OLV

DOTAZIONE

→ Contropiastra con aletta Art. T357 OLV
 → Vaschetta coprifresata scrocco e catenaccio Art. C371
 → Viti di fissaggio

ACCESSORIES

→ Striking plate with tab Art. T357 OLV
 → Plastic bolt and latch milling cover Art. C371
 → Fixing screws



Serie
2200



T2216/90 Serratura per bagno | Doppio quadro 8mm | Catenaccio e Scrocco | 1 Mandata | Azionamento quadro 8mm | Bordo Tondo
Bathroom lock | Double square hole 8mm | Bolt and Latch | 1 Turn | Square hole movement | Round Edge

Codice Code	Finitura Finishing					
T2216 90 40 ___ 7						
T2216 90 45 ___ 7						
T2216 90 50 ___ 7		1	22x3x238	90		1 20
T2216 90 60 ___ 7						
T2216 90 70 ___ 7						

Finitura Finishing	Finiture Standard Standard Finishings					Finiture Speciali Special Finishings				
	OLV	OSO	OCL OCS ONS	OBO OGR OGM	OBL ONC BLK	ABO SFE	PLO	PVD PVG PRS	XSO INOX	

Serrature da infilare a cilindro
Mortice locks for profile cylinder

2260/90-2265/90

Catenaccio e Scrocco
1-2 Mandate
Azionamento con Chiave Patent

Bolt and Latch
1-2 Turns
Patent Key movement

FINITURA DI SERIE

- Piastra frontale, Catenaccio, Scrocco, Chiave OLV

STANDARD FINISHINGS

- Front plate, Bolt, Latch, Key OLV

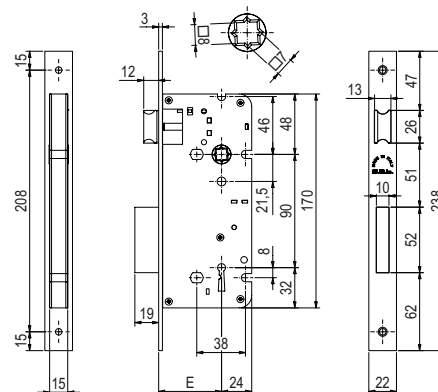
DOTAZIONE

- Contropiastra con aletta Art. 357 OLV
- Vaschetta coprifresata scrocco e catenaccio Art. C371
- Viti di fissaggio
- Chiave Art. 384 OLV (Cifratura UNICA)

ACCESSORIES

- Striking plate with tab Art. 357 OLV
- Plastic bolt and latch milling cover Art. C371
- Fixing screws
- Key Art. 384 OLV (UNIQUE Code)

Serie **2200**



Serrature da infilare a cilindro
Mortice locks for profile cylinder

2260/90 2265/90		Catenaccio e Scrocco 1-2 Mandate Azionamento con Chiave Patent					
		<i>Bolt and Latch 1-2 Turns Patent Key movement</i>					
Codice Code	Finitura Finishing						
02260 90 40 ___ 7	---						
02260 90 45 ___ 7	---						
02260 90 50 ___ 7	---	2					
02260 90 60 ___ 7	---						
02265 90 40 ___ 7	---		22x3x238	90		1	20
02265 90 45 ___ 7	---						
02265 90 50 ___ 7	---	1					
02265 90 60 ___ 7	---						

Finitura Finishing	Finiture Standard Standard Finishings				Finiture Speciali Special Finishings				
	OLV	OSO	OCL OCS ONS	OBO OGR OGM	OBL ONC BLK	ABO SFE	PLO	PVD PVG PRS	XSO INOX

T2260/90-T2265/90

Catenaccio e Scrocco
1-2 Mandate
Azionamento con Chiave Patent
Bordo Tondo

*Bolt and Latch
1-2 Turns
Patent Key movement
Round Edge*

FINITURA DI SERIE

→ Piastra frontale, Catenaccio, Scrocco, Chiave OLV

STANDARD FINISHINGS

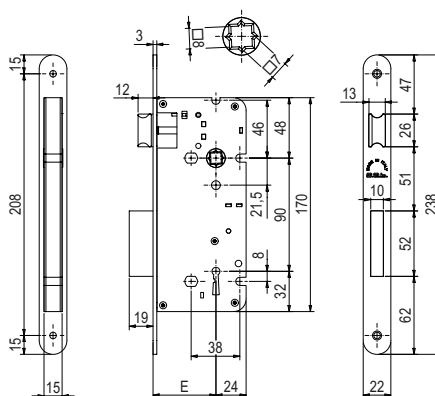
→ Front plate, Bolt, Latch, Key OLV

DOTAZIONE

→ Contropiastra con aletta Art. T357 OLV
→ Vaschetta coprifresata scrocco e catenaccio Art. C371
→ Viti di fissaggio
→ Chiave Art. 384 OLV (Cifratura UNICA)

ACCESSORIES

→ Striking plate with tab Art. T357 OLV
→ Plastic bolt and latch milling cover Art. C371
→ Fixing screws
→ Key Art. 384 OLV (UNIQUE Code)



Serie
2200



T2260/90 T2265/90		Catenaccio e Scrocco 1-2 Mandate Azionamento con Chiave Patent Bordo Tondo					
		<i>Bolt and Latch 1-2 Turns Patent Key movement Round Edge</i>					
Codice Code	Finitura Finishing						
T2260 90 40 ___ 7							40
T2260 90 45 ___ 7							45
T2260 90 50 ___ 7		2					50
T2260 90 60 ___ 7							60
T2265 90 40 ___ 7			22x3x238	90			40
T2265 90 45 ___ 7						1	20
T2265 90 50 ___ 7	1						45
T2265 90 50 ___ 7							50
T2265 90 60 ___ 7							60

Finitura Finishing	Finiture Standard Standard Finishings					Finiture Speciali Special Finishings				
	OLV	OSO	OCL OCS ONS	OBO OGR OGM	OBL ONC BLK	ABO SFE	PLO	PVD PVG PRS	XSO INOX	

Serrature da infilare a cilindro
Mortice locks for profile cylinder

2200/72

Catenaccio Antistrappo e Scrocco
2 Mandate
Azionamento a cilindro

Tamper proof bolt and latch
2 Turns
Cylinder movement

FINITURA DI SERIE

- Piastra frontale, Catenaccio, Scrocco OLV

STANDARD FINISHINGS

- Front plate, Bolt, Latch OLV

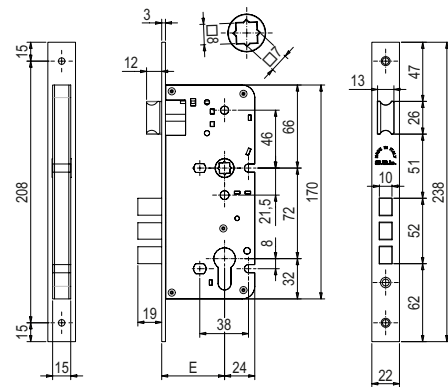
DOTAZIONE

- Contropiastra con aletta Art. 357 OLV
- Vaschetta coprifresata scrocco e catenaccio Art. C371
- Viti di fissaggio
- CILINDRO ESCLUSO

ACCESSORIES

- Striking plate with tab Art. 357 OLV
- Plastic bolt and latch milling cover Art. C371
- Fixing screws
- CYLINDER NOT INCLUDED

Serie **2200**



2200/72

Catenaccio Antistrappo e Scrocco | 2 Mandate | Azionamento a cilindro

Tamper proof bolt and latch | 2 Turns | Cylinder movement

Codice Code	Finitura Finishing						
02200 72 45 ___ 7	---						
02200 72 50 ___ 7	---						
02200 72 55 ___ 7	---	2	22x3x238	72		1	20
02200 72 60 ___ 7	---						
02200 72 70 ___ 7	---						

Finitura Finishing	Finiture Standard Standard Finishings					Finiture Speciali Special Finishings			
	OLV	OSO	OCL OCS ONS	OBO OGR OGM	OBL ONC BLK	ABO SFE	PLO	PVD PVG PRS	XSO INOX

Serrature da infilare a cilindro
Mortice locks for profile cylinder

T2200/72

Catenaccio Antistrappo e Scrocco
2 Mandate
Azionamento a cilindro
Bordo Tondo

Tamper proof bolt and latch
2 Turns
Cylinder movement
Round Edge

FINITURA DI SERIE

→ Piastra frontale, Catenaccio, Scrocco OLV

STANDARD FINISHINGS

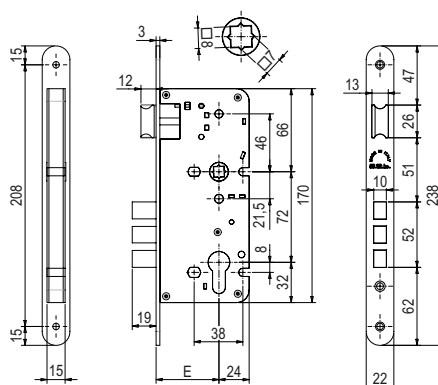
→ Front plate, Bolt, Latch OLV

DOTAZIONE

→ Contropiastra con aletta Art. T357 OLV
→ Vaschetta coprifresata scrocco e catenaccio Art. C371
→ Viti di fissaggio
→ CILINDRO ESCLUSO

ACCESSORIES

→ Striking plate with tab Art. T357 OLV
→ Plastic bolt and latch milling cover Art. C371
→ Fixing screws
→ CYLINDER NOT INCLUDED



Serie
2200



T2200/72		Catenaccio Antistrappo e Scrocco 2 Mandate Azionamento a cilindro Bordo Tondo					
		Tamper proof bolt and latch 2 Turns Cylinder movement Round Edge					
Codice Code	Finitura Finishing						
T2200 72 45 ___ 7	---						
T2200 72 50 ___ 7	---						
T2200 72 55 ___ 7	---	2	22x3x238	72		1	20
T2200 72 60 ___ 7	---						
T2200 72 70 ___ 7	---						

Finitura Finishing

Finiture Standard | Standard Finishings

Finiture Speciali | Special Finishings

OLV	OSO	OCL OCS ONS	OBO OGR OGM	OBL ONC BLK	ABO SFE	PLO	PVD PVG PRS	XSO <i>INOX</i>
------------	------------	--	--	--	--------------------------	------------	--	---------------------------

Serrature da infilare a cilindro
Mortice locks for profile cylinder

2210/72

Catenaccio e Scrocco
2 Mandate
Azionamento a cilindro

FINITURA DI SERIE

- Piastra frontale, Catenaccio, Scrocco OLV

DOTAZIONE

- Contropiastra con aletta Art. 357 OLV
- Vaschetta coprifresata scrocco e catenaccio Art. C371
- Viti di fissaggio
- CILINDRO ESCLUSO

Bolt and Latch
2 Turns
Cylinder movement

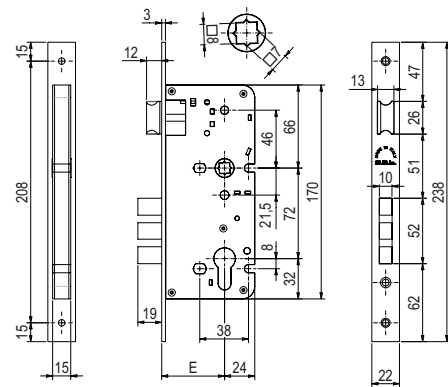
STANDARD FINISHINGS

- Front plate, Bolt, Latch OLV

ACCESSORIES

- Striking plate with tab Art. 357 OLV
- Plastic bolt and latch milling cover Art. C371
- Fixing screws
- CYLINDER NOT INCLUDED

Serie **2200**



2210/72

Catenaccio e Scrocco | 2 Mandate | Azionamento a cilindro

Bolt and Latch | 2 Turns | Cylinder movement

Codice Code	Finitura Finishing					
02210 72 40 ___ 7	---					
02210 72 45 ___ 7	---					
02210 72 50 ___ 7	---	2	22x3x238	72		1 20
02210 72 55 ___ 7	---					
02210 72 60 ___ 7	---					
02210 72 70 ___ 7	---					

Finitura Finishing	Finiture Standard Standard Finishings					Finiture Speciali Special Finishings			
	OLV	OSO	OCL OCS ONS	OBO OGR OGM	OBL ONC BLK	ABO SFE	PLO	PVD PVG PRS	XSO INOX

Serrature da infilare a cilindro
Mortice locks for profile cylinder

T2210/72

Catenaccio e Scrocco
2 Mandate
Azionamento a cilindro
Bordo Tondo

*Bolt and Latch
2 Turns
Cylinder movement
Round Edge*

FINITURA DI SERIE

→ Piastra frontale, Catenaccio, Scrocco OLV

STANDARD FINISHINGS

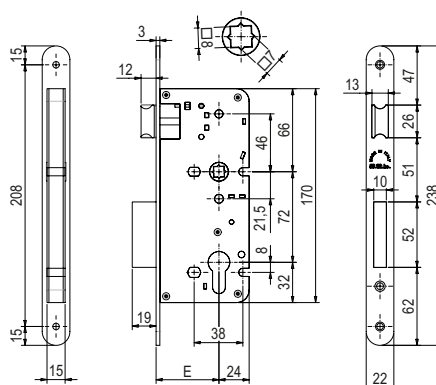
→ Front plate, Bolt, Latch OLV

DOTAZIONE

→ Contropiastra con aletta Art. T357 OLV
→ Vaschetta coprifresata scrocco e catenaccio Art. C371
→ Viti di fissaggio
→ CILINDRO ESCLUSO

ACCESSORIES

→ Striking plate with tab Art. T357 OLV
→ Plastic bolt and latch milling cover Art. C371
→ Fixing screws
→ CYLINDER NOT INCLUDED



Serie
2200



T2210/72		Catenaccio e Scrocco 2 Mandate Azionamento a cilindro Bordo Tondo					
		<i>Bolt and Latch 2 Turns Cylinder movement Round Edge</i>					
Codice Code	Finitura Finishing						
T2210 72 40 ___ 7	---						40
T2210 72 45 ___ 7	---						45
T2210 72 50 ___ 7	---						50
T2210 72 55 ___ 7	---	2	22x3x238	72		1	20
T2210 72 60 ___ 7	---						60
T2210 72 70 ___ 7	---						70

Finitura Finishing	Finiture Standard Standard Finishings					Finiture Speciali Special Finishings				
	---	OLV	OSO	OCL OCS ONS	OBO OGR OGM	OBL ONC BLK	ABO SFE	PLO	PVD PVG PRS	XSO <i>INOX</i>

Serrature da infilare a cilindro
Mortice locks for profile cylinder

2216/72

Serratura per bagno
 Doppio quadro 8mm
 Catenaccio e Scrocco
 1 Mandata
 Azionamento quadro 8mm

Bathroom lock
 Double square hole 8mm
 Bolt and Latch
 1 Turn
 Square hole movement

FINITURA DI SERIE

- Piastra frontale, Catenaccio, Scrocco OLV

STANDARD FINISHINGS

- Front plate, Bolt, Latch OLV

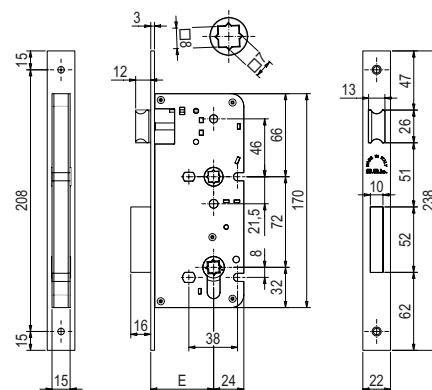
DOTAZIONE

- Contropiastra con aletta Art. 357 OLV
- Vaschetta coprifresata scrocco e catenaccio Art. C371
- Viti di fissaggio

ACCESSORIES

- Striking plate with tab Art. 357 OLV
- Plastic bolt and latch milling cover Art. C371
- Fixing screws

Serie **2200**



2216/72

Serratura per bagno | Doppio quadro 8mm | Catenaccio e Scrocco | 1 Mandata | Azionamento quadro 8mm
 Bathroom lock | Double square hole 8mm | Bolt and Latch | 1 Turn | Square hole movement

Codice Code	Finitura Finishing						
02216 72 40 ___ 7	---						
02216 72 45 ___ 7	---						
02216 72 50 ___ 7	---						
02216 72 55 ___ 7	---	1	22x3x238	72		1	20
02216 72 60 ___ 7	---						
02216 72 70 ___ 7	---						

Serrature da infilare a cilindro
 Mortice locks for profile cylinder

Finiture Standard | Standard Finishings

Finiture Speciali | Special Finishings

Finitura Finishing	OLV	OSO	OCL OCS ONS	OBO OGR OGM	OBL ONC BLK	ABO SFE	PLO	PVD PVG PRS	XSO INOX
-----------------------	------------	------------	----------------------------	----------------------------	----------------------------	--------------------	------------	----------------------------	---------------------

T2216/72

Serratura per bagno
 Doppio quadro 8mm
 Catenaccio e Scrocco
 1 Mandata
 Azionamento quadro 8mm | Bordo Tondo

*Bathroom lock
 Double square hole 8mm
 Bolt and Latch
 1 Turn
 Square hole movement | Round Edge*

FINITURA DI SERIE

→ Piastra frontale, Catenaccio, Scrocco OLV

STANDARD FINISHINGS

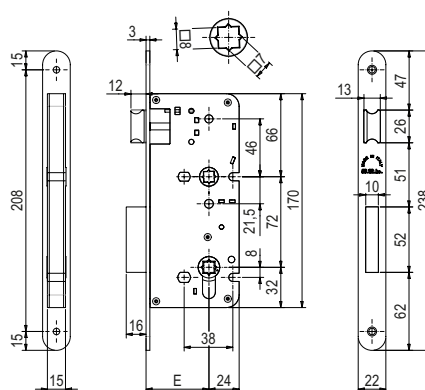
→ Front plate, Bolt, Latch OLV

DOTAZIONE

→ Contropiastra con aletta Art. T357 OLV
 → Vaschetta coprifresata scrocco e catenaccio Art. C371
 → Viti di fissaggio

ACCESSORIES

→ Striking plate with tab Art. T357 OLV
 → Plastic bolt and latch milling cover Art. C371
 → Fixing screws



Serie
2200



T2216/72 Serratura per bagno | Doppio quadro 8mm | Catenaccio e Scrocco | 1 Mandata | Azionamento quadro 8mm | Bordo Tondo
Bathroom lock | Double square hole 8mm | Bolt and Latch | 1 Turn | Square hole movement | Round Edge

Codice Code	Finitura Finishing						
T2216 72 40 ___ 7	---						
T2216 72 45 ___ 7	---						
T2216 72 50 ___ 7	---	1	22x3x238	72			20
T2216 72 55 ___ 7	---						
T2216 72 60 ___ 7	---						
T2216 72 70 ___ 7	---						

Finitura Finishing	Finiture Standard Standard Finishings					Finiture Speciali Special Finishings				
	OLV	OSO	OCL OCS ONS	OBO OGR OGM	OBL ONC BLK	ABO SFE	PLO	PVD PVG PRS	XSO INOX	

Serrature da infilare a cilindro
Mortice locks for profile cylinder