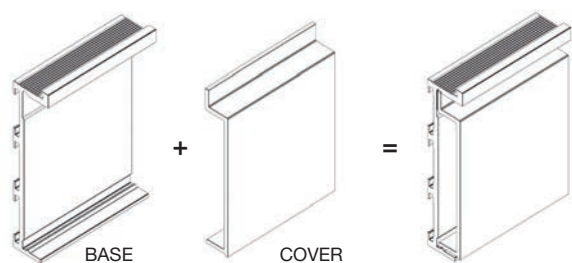
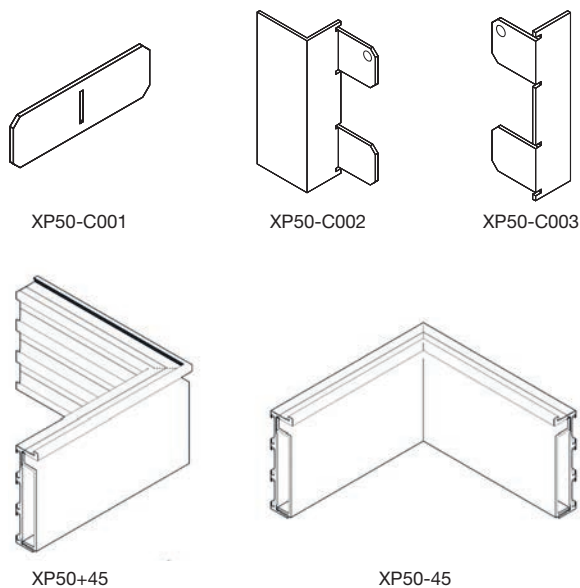


XP50[®] - UNIVERSAL INTEGRATED PLINTH



MINIMALISTIC PLINTH FOR FLUSH INSTALLATION

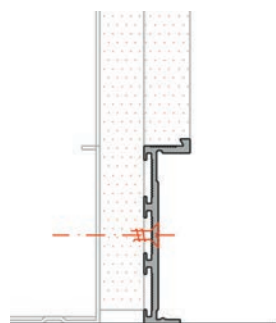
- Untreated, natural mat anodized or white coated profiles
- Possibility to glue a stainless steel topplate on the cover profile
- All installation and adjustment pieces are available
- Mechanically fixed or glued invisible in the wall construction
- Precious timeless finish
- Minimalistic dimensions: 50 x 13 mm



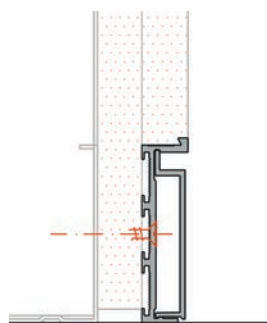
ORDER CODE	DESCRIPTION
XP50-3000.B	Base plinth 3000 mm - Raw
XP50-3000.A	Base plinth 3000 mm - Anodised F1
XP50-3000.W	Base plinth 3000 mm - White primer
XP50-3000.B.COVER	Cover plinth 3000 mm - Raw
XP50-3000.A.COVER	Cover plinth 3000 mm - Anodised F1
XP50-3000.W.COVER	Cover plinth 3000 mm - White primer

XP50-C001	Connection part for 2 lengths
XP50-C002	Junction part for a XINNIX frame
XP50-C003	End piece for a clean stop
XP50-A045	Precut angle XP50 +45° -45°

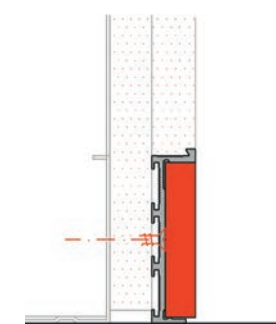
ONE BASE FOR DIFFERENT VERSIONS



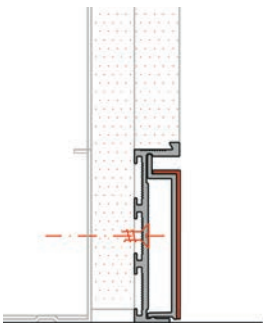
Negative version -9 mm
- XP50



Flush version with cover
XP50 + XP50-Cover



Flush version with HPL
or stone plinth
XP50 + plinth (not included)

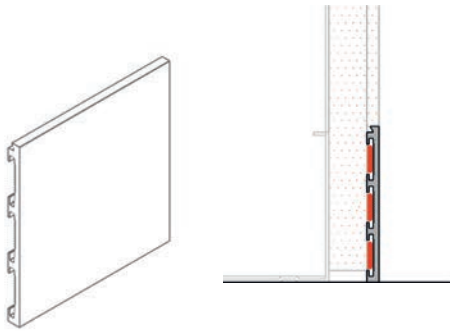


Flush version with cover and
stainless steel top plate
XP50 + XP50-Cover + XP50-RVS

XP50-04 - UNIVERSAL INTEGRATED PLINTH

MINIMALISTIC PLINTH FOR FLUSH INSTALLATION

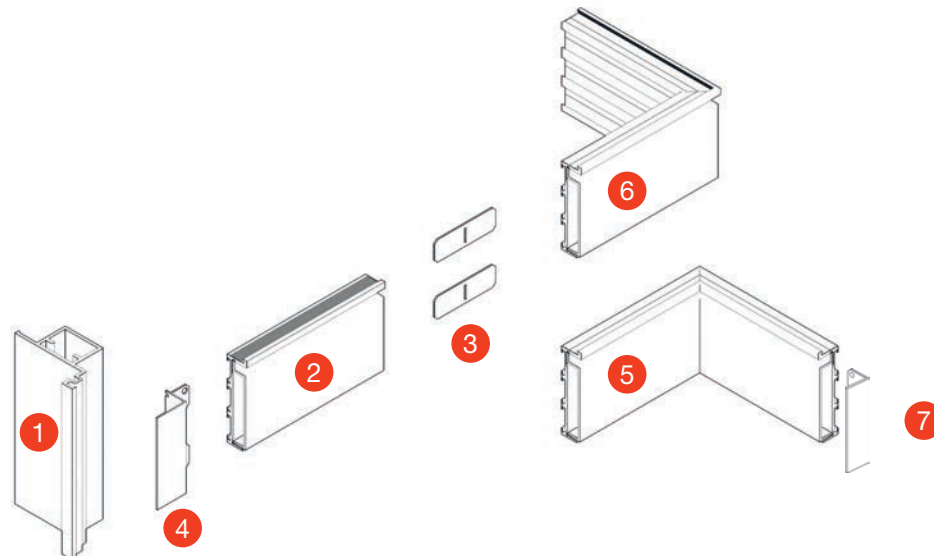
- All installation and adjustment pieces are available
- Glued invisible in the wall construction
- Precious timeless finish
- Minimalistic dimensions: 50 x 4 mm



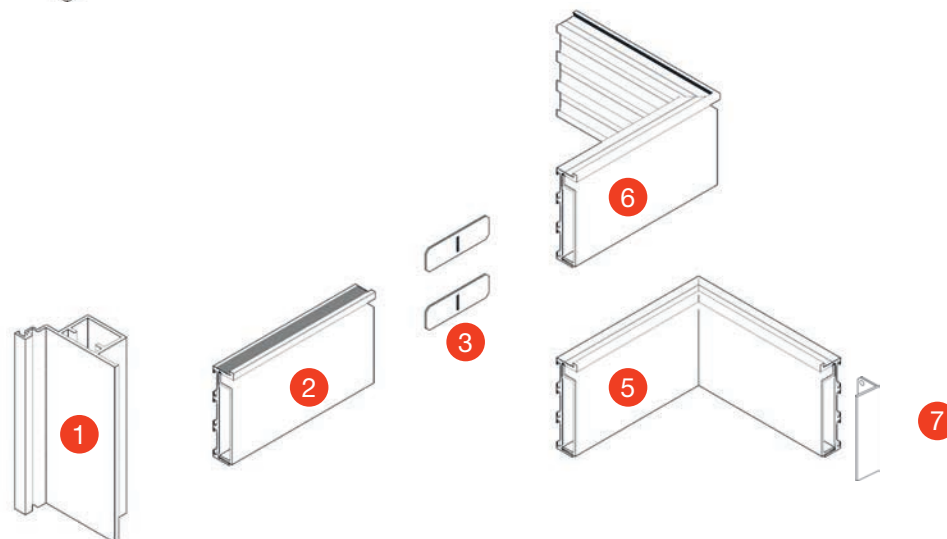
ORDER CODE	DESCRIPTION
XP50-04.3000.W	Base plinth 3000 mm - White primer

CONNECTION PARTS

PUSH VERSION



PULL VERSION



- 1** X2 Profile
- 2** XP50 Plinth XP50-3000
- 3** Connection part XP50-C001
- 4** Junction part XP50-C002
- 5** Inside corner XP50-45
- 6** Outside corner XP50+45
- 7** End piece for a clean stop XP50-C003