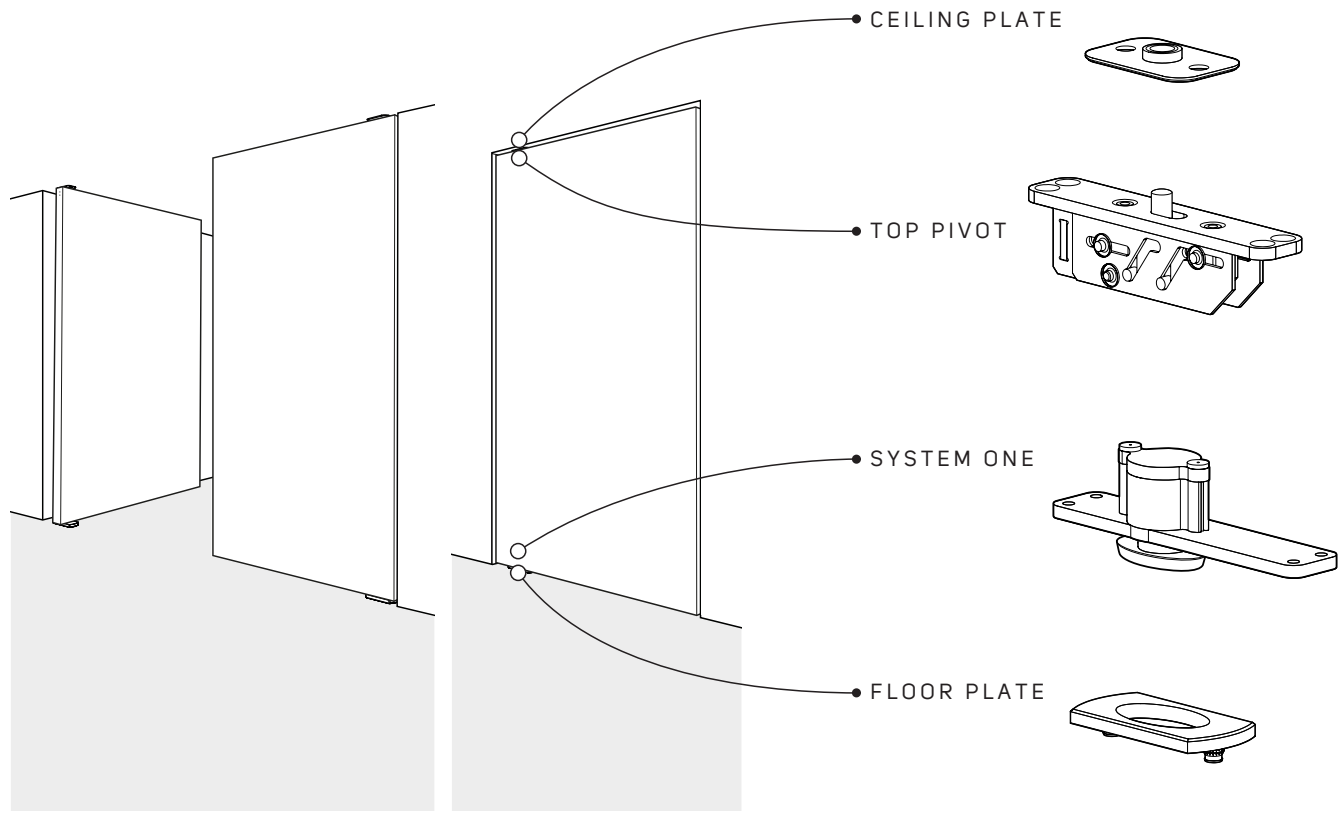
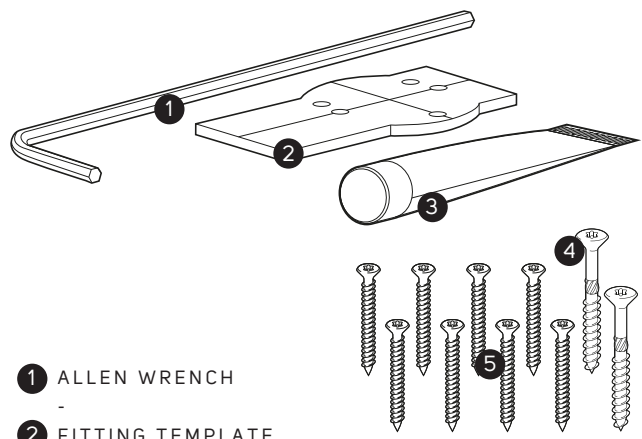


MILLING MANUAL

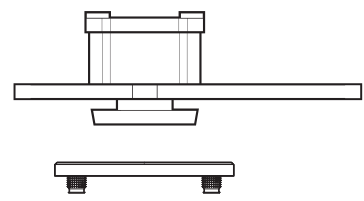
FritsJurgens®  
SYSTEM ONE



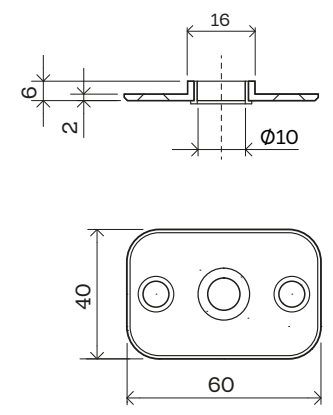
TOOLS INCLUDED



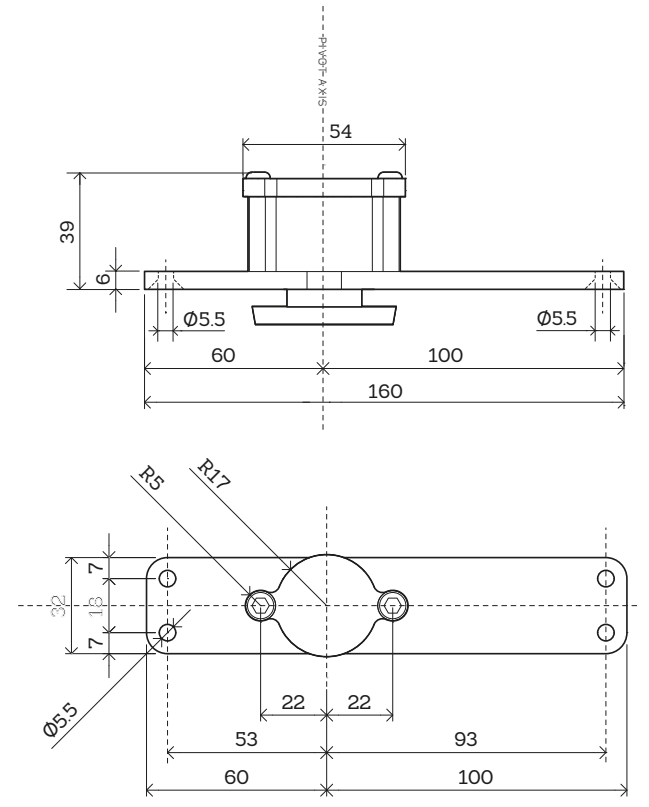
- 1 ALLEN WRENCH
- 
- 2 FITTING TEMPLATE
- 
- 3 FITTING ADHESIVE
- 
- 4 SCREW (6X 60) 2x
- 
- 5 SCREW (4X50) 8x



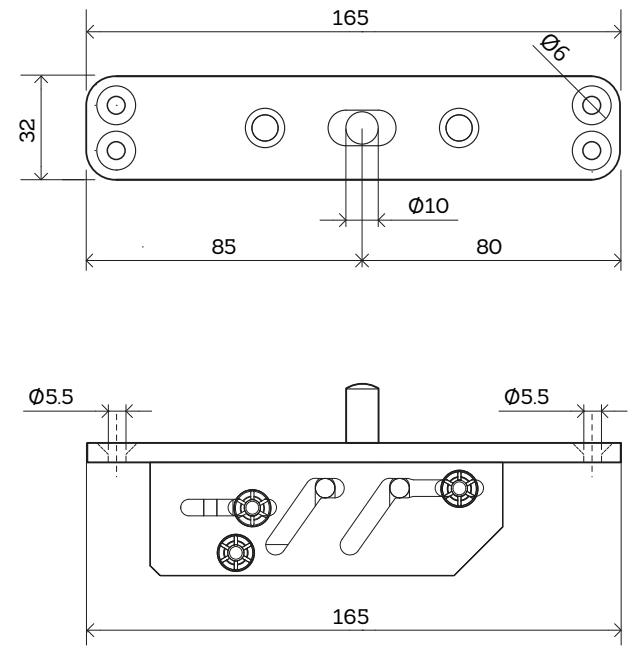
CEILING PLATE



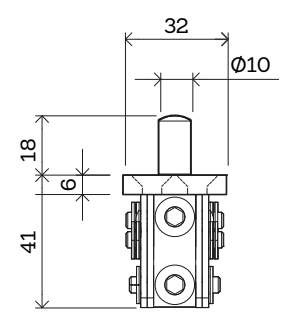
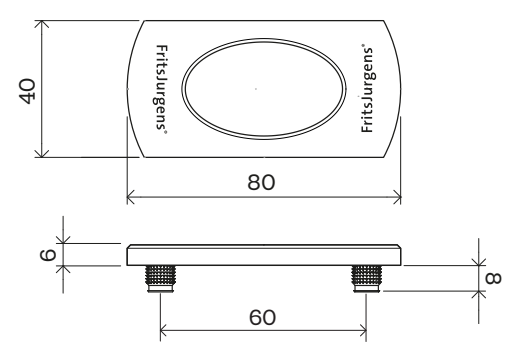
SYSTEM ONE



TOP PIVOT



FLOOR PLATE



TOP PIVOT

