

TE 311 3D FVZ 44

for unrebated residential doors with recessed frame facings



Product features

- FVZ = recessed frame facings
- recessed frame facings up to 12,0 mm
- completely concealed hinge system
- for block and steel frames
- for unrebated residential doors
- sideways closed hinge body for a homogeneous mortise appearance
- 3D adjustment (side +/- 3,0 mm, height +/- 3,0 mm, compression +/- 1,0 mm)
- maintenance-free slide bearings

Technical details

Attributes	Value
Load capacity	60,0 kg
Overall length	125,0 mm
Width (door part)	36,0 mm
Width (frame part)	24,0/28,0 mm
Cutter diameter	24,0 mm
Opening angle	180°

Quality marks

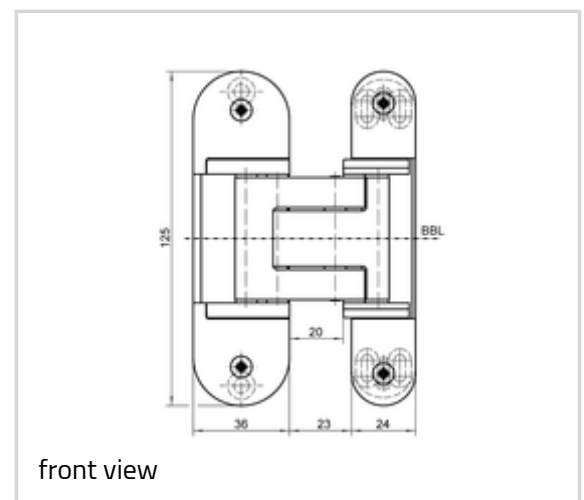


Classification key

2	7	3	1 ⁻¹	1	— ⁻²	0	10
---	---	---	-----------------	---	-----------------	---	----

^{*1} Test evidence for functional doors to be achieved with full door sets and assemblies.

^{*2} depending on the finish



TECTUS - TE 311 3D FVZ 44

Note

The load capacity mentioned above refers to the use of 2 hinges per door leaf (1 x 2 m), for detailed information please look at the chapter "technical information".

For a centred installation in 44 mm doors.

With an opening position of 180° the door may have to be fixed additionally.

Suitable for

Universal milling frame

Template 5 251100 6

Template 5 251102 6

frame

door leaf

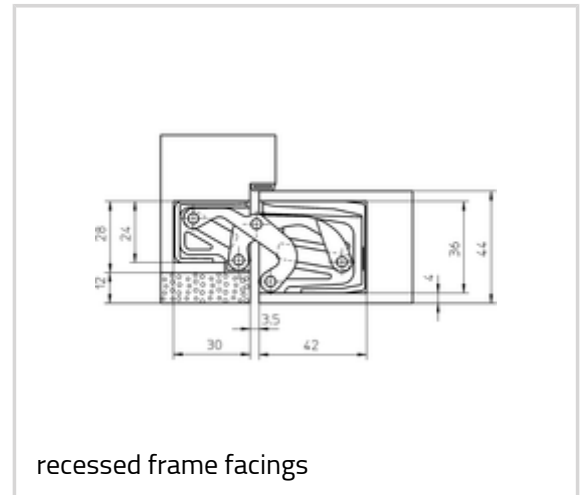
Combinations

TE 311 3D FVZ FZ

TE 311 3D FVZ SZ

Item

Finish(es)	124-Satin Chrome Look (F1)
OF-NR.	124
VPE	pack of 2
DIN	DIN right and left hand
Item No.	5 400569 0 12402
EAN	4015471121570
Finish(es)	125-Satin Nickel Look (F2)
OF-NR.	125
VPE	pack of 2
DIN	DIN right and left hand
Item No.	5 400569 0 12502
EAN	4015471128005
Finish(es)	079-coloured
OF-NR.	079
VPE	EUR-pallet



TECTUS - TE 311 3D FVZ 44

DIN	DIN right and left hand
Item No.	5 400569 0 07975
EAN	4015471135904